

## **ANT-RA57-915 Compact Right Angle 915MHz Antenna**

890-960MHz(Center Frequency 915MHz) 1/4 wave 2dBi FOR SMA MALE R/A

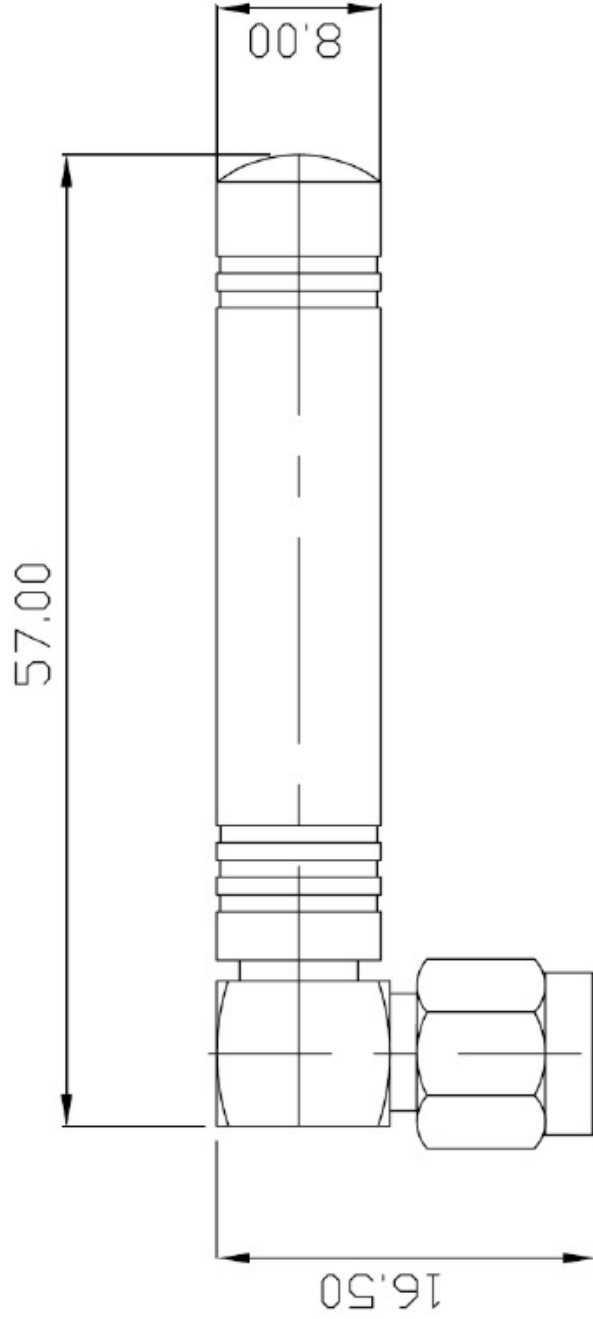


Specifications/Special Features :

This antenna is designed for 890-960MHz wireless Communications

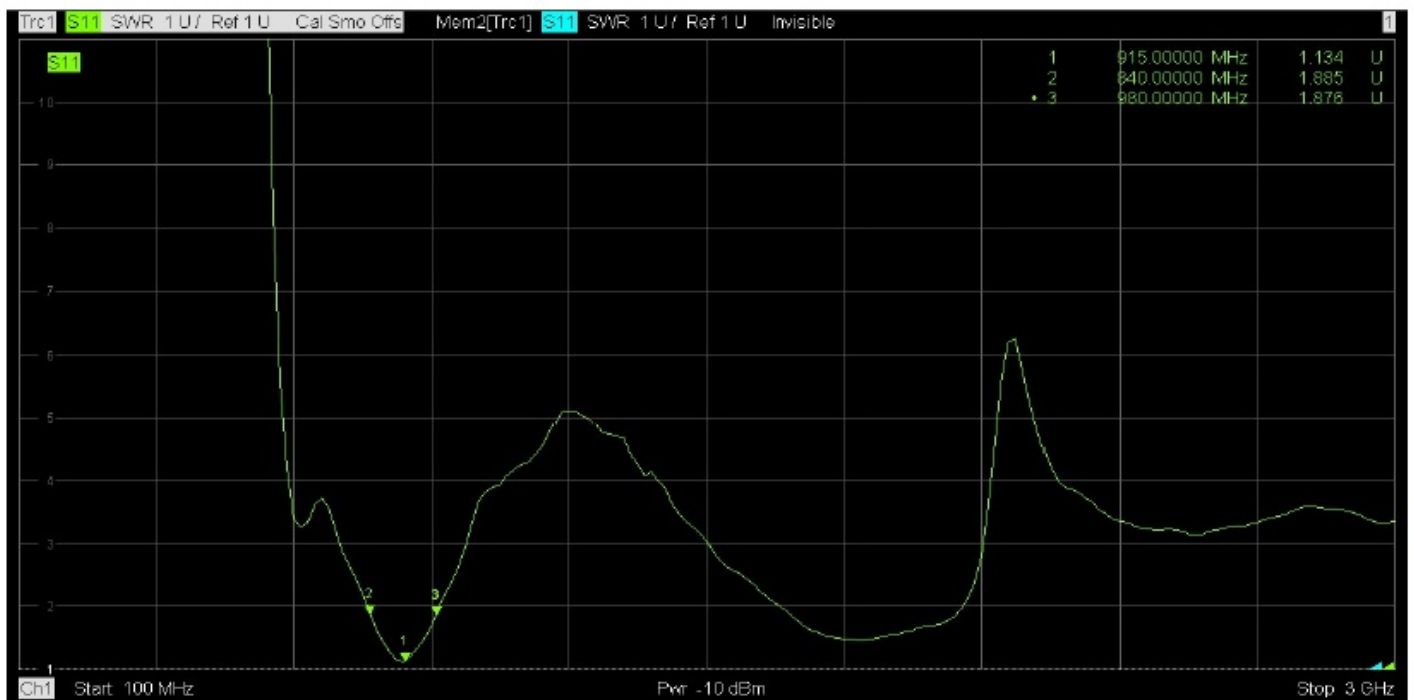
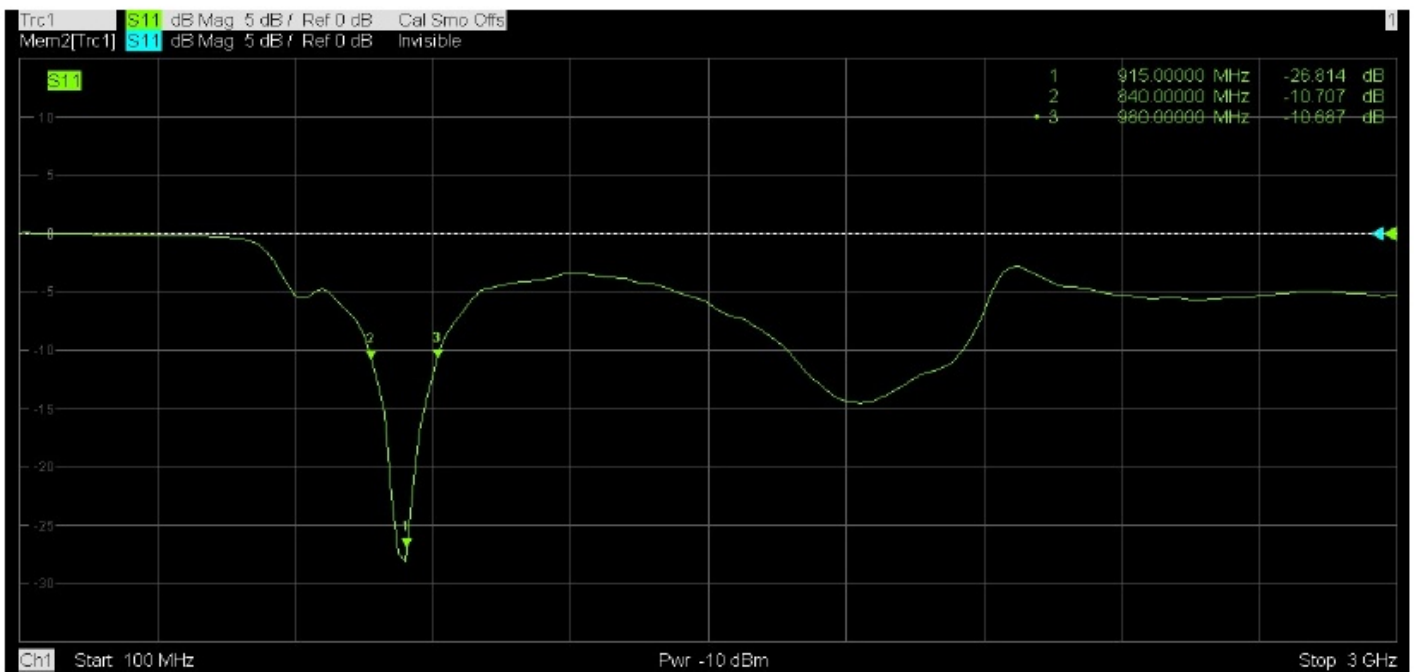
Specification	
Model No.	
Frequency	890-960MHz(Center Frequency 915MHz)
Gain	2 dBi
V.S.W.R	$\leq 2.0$ (Center Frequency 915MHz $\leq 1.5$ )
Polarization	Vertical
Connector	SMA Male Right Angle
Impedance	50 $\Omega$
Operation temperature	-20°C ~+60°C
Storage temperature	-30°C ~+75°C
Dimensions	L57 x W16.5 x H8 mm

1/4wave 2 dBi FOR SMA MALE R/A

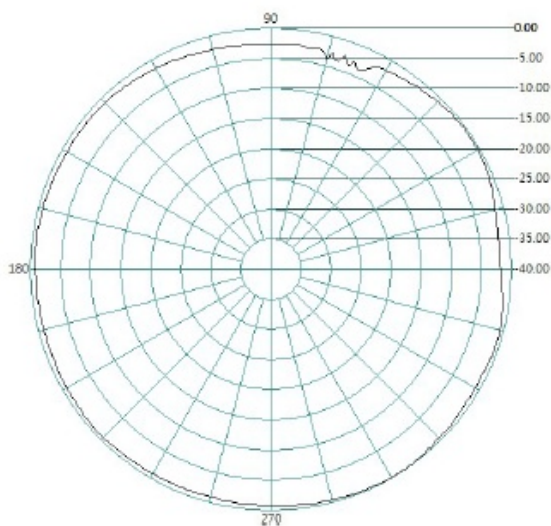


SMA MALE RIGHT ANGLE

1		6	IMPEDANCE : 50Ω
2	GAIN : 2dBi	7	
3	V.S.W.R : <=2:1	8	
4	LENGTH : 57mm	9	
5	CONNECTOR : SMA MALE R/A	10	



H-PLANE



E-PLANE

