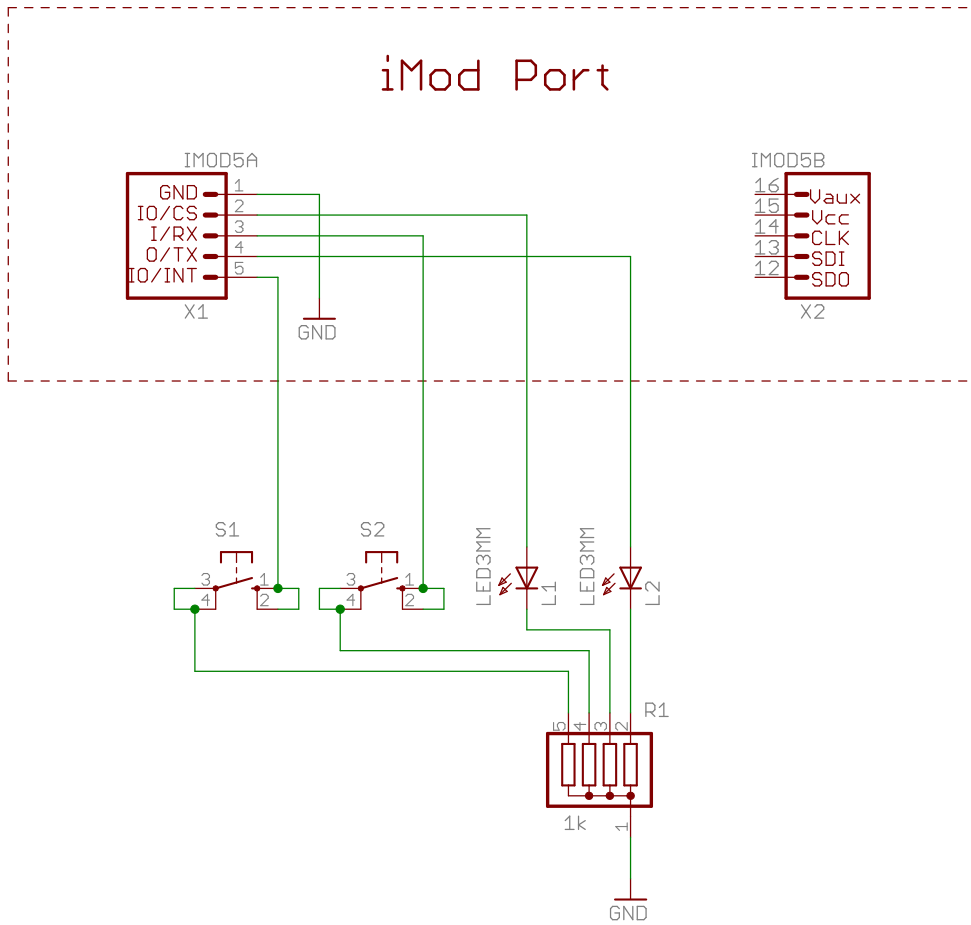


iMod Port



im2BL LED/Button Board - Modtronix Engineering

TITLE: im2bl_r1

Document Number:

REV:

1

Date: 22/09/2013 8:05:38 AM

Sheet: 1/1