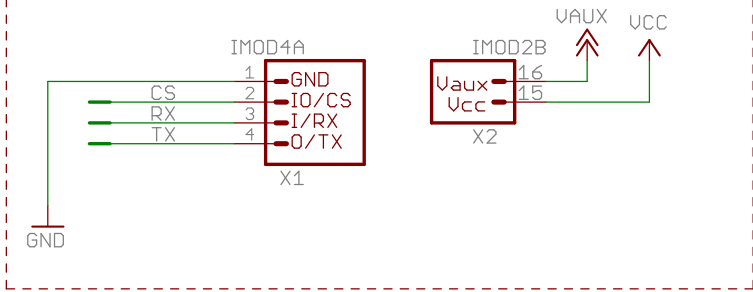
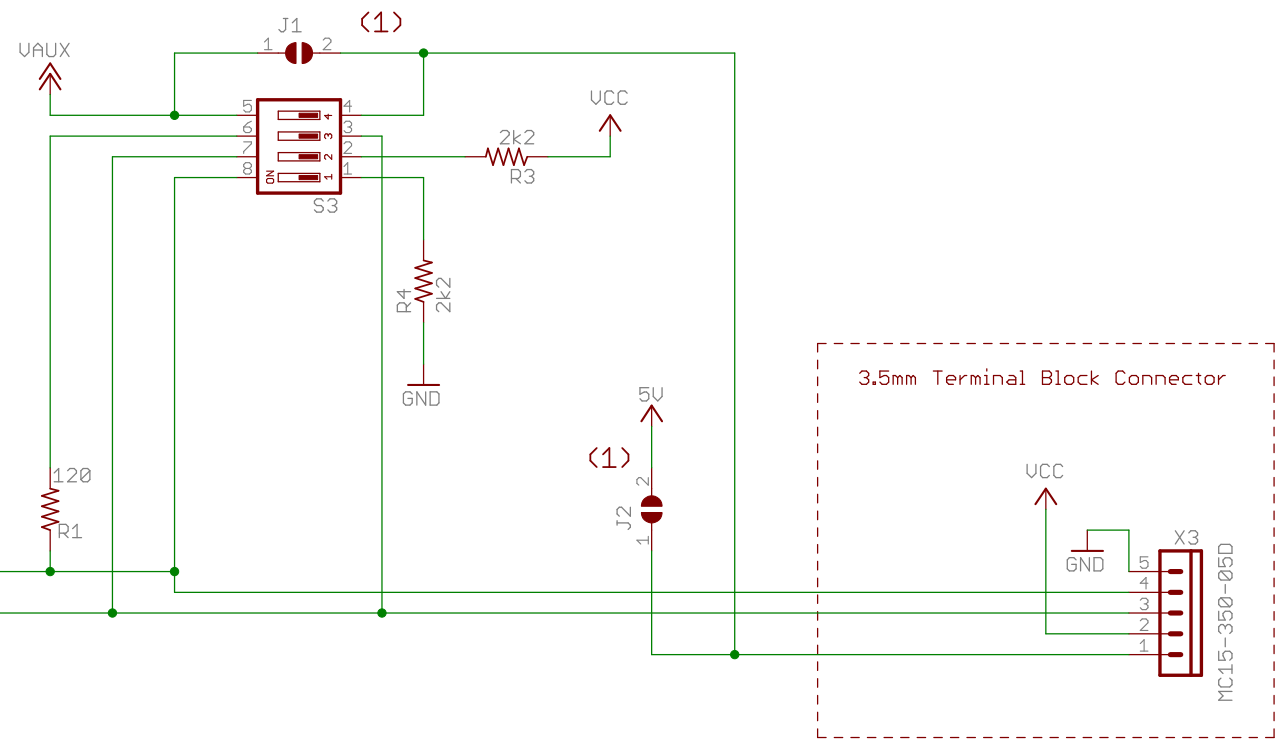
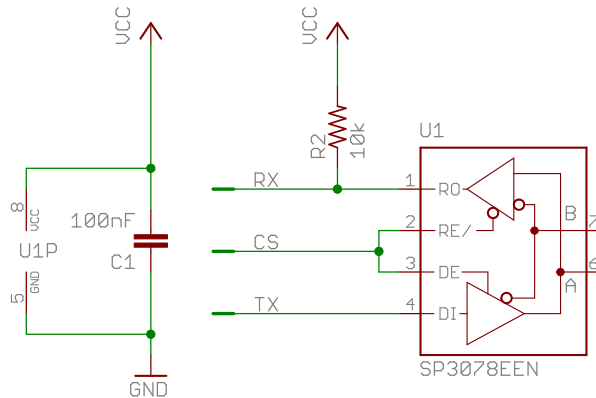


iMod Port



3.3V Supply



(1) Solder jumpers J1 and J2 are on the back of the PCB.



RS485 iMod Interface Module	
Modtronix Engineering	
TITLE: in485p-m_r3_doc	
Document Number:	REV: 1
Date: 22/09/2013 8:24:47 AM	Sheet: 1/1