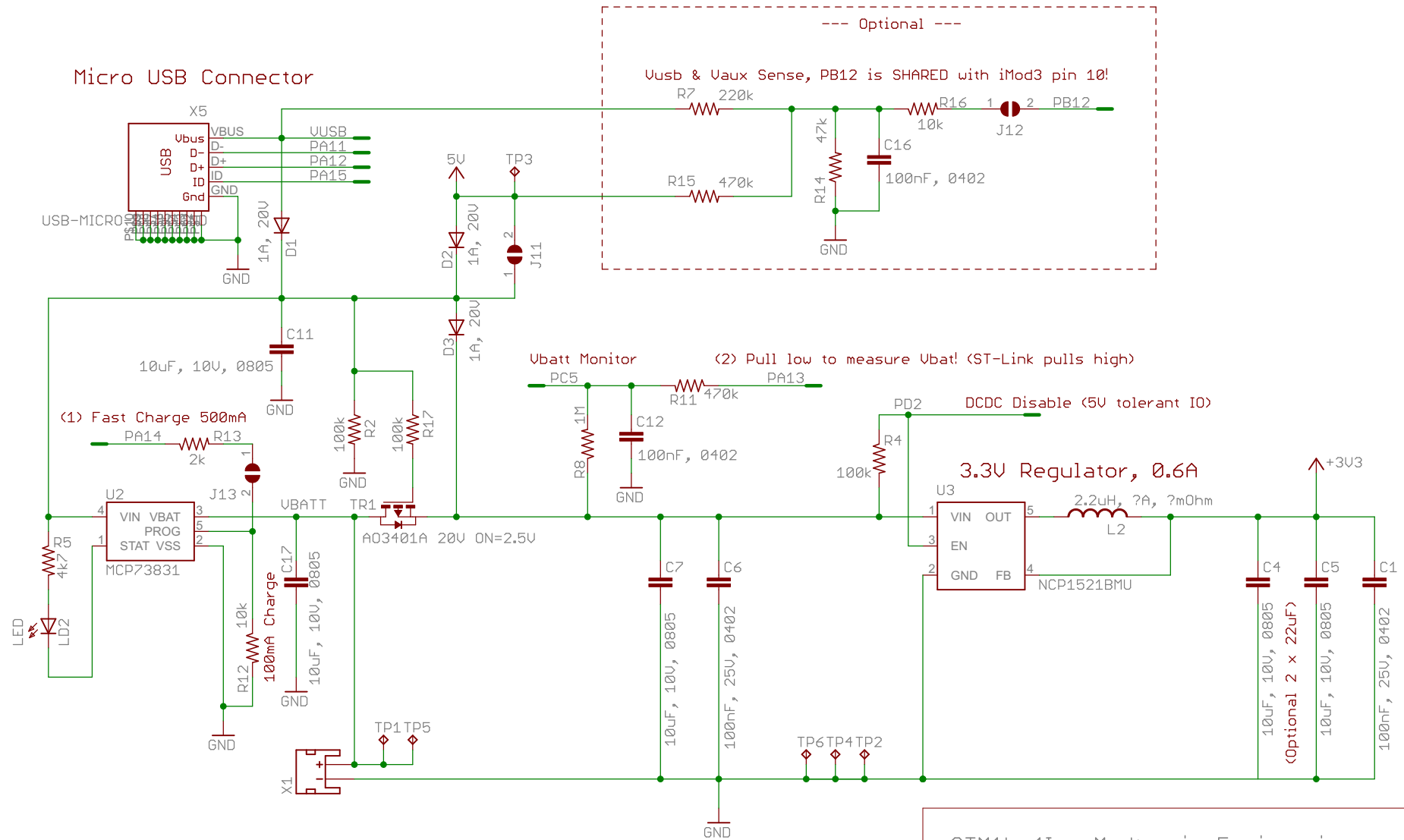


STM1L-4I - Modtronix Engineering	
TITLE: stm1l-4i-r1	
Document Number:	REV: 1
Date: 20/10/2014 9:50:16 AM	Sheet: 1/2

(1) PB2 selectets boot mode when BOOT0=3.3V. 0=System Bootloader, 1=SRAM
 Indicates default solder jumper that is made at delivery



STM1L-4I - Modtronix Engineering

TITLE: stm1l-4i-r1

Document Number: REV:

Date: 20/10/2014 9:50:16 AM Sheet: 2/2

(1) Has pull-down enabled after reset. Shared with SWCLK programming pin.
 (2) Has pull-up enabled after reset. Shared with SWDIO programming pin.

