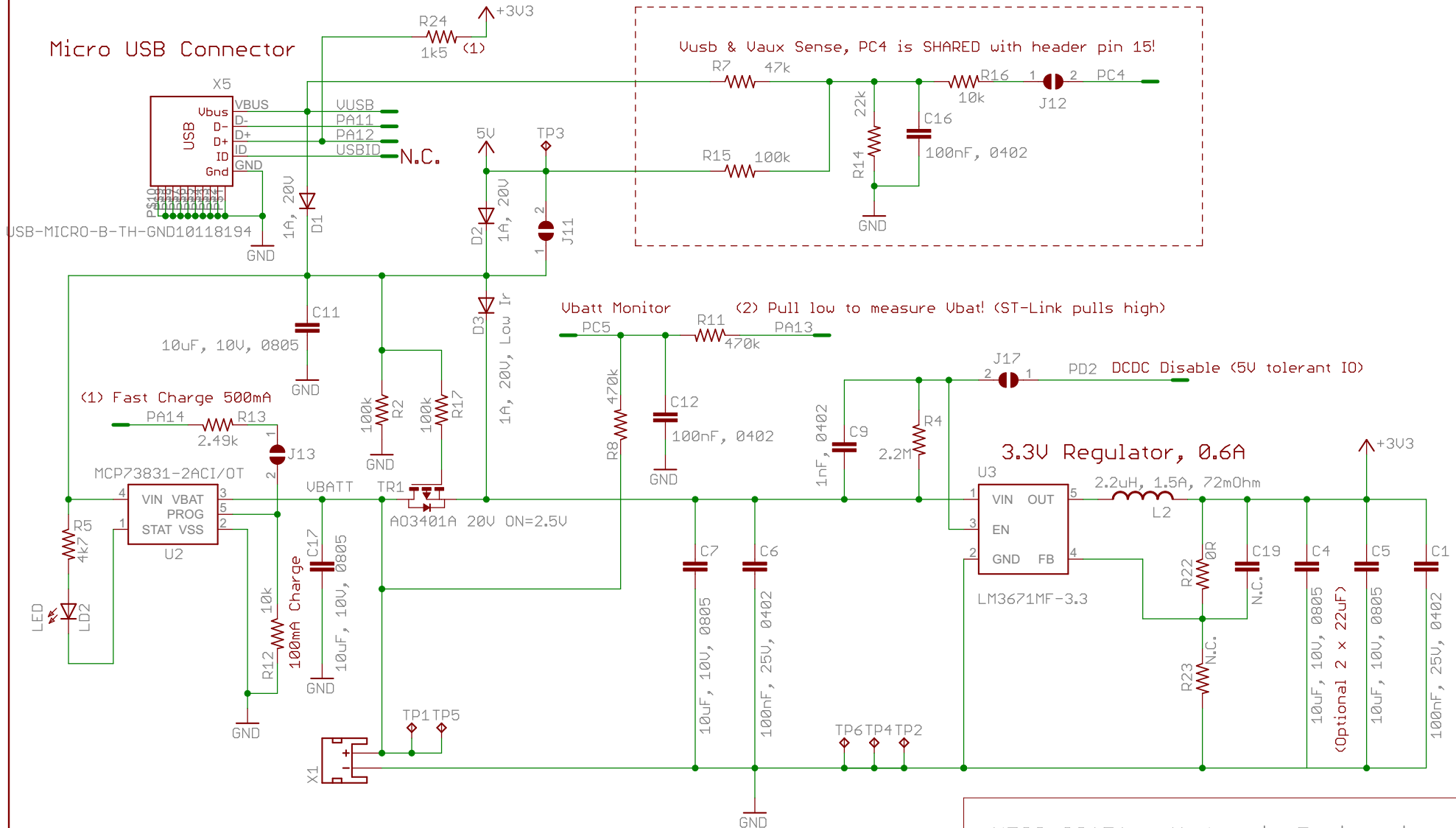


(1) Maybe needed for L151RC for USB Bootloader - see AN2606



(1) Has pull-down enabled after reset. Shared with SWCLK programming pin.  
 (2) Has pull-up enabled after reset. Shared with SWDIO programming pin.

N32-SC151 - Modtronix Engineering

TITLE: nz32-sc151-r1\_doc

Document Number:

REV:  
1

Date: 3/07/2015 4:18:17 PM

Sheet: 2/2