

SBC66UAL - Modtronix Engineering

TITLE: sbc66ual-r1_doc_assembled

Document Number:

REV:

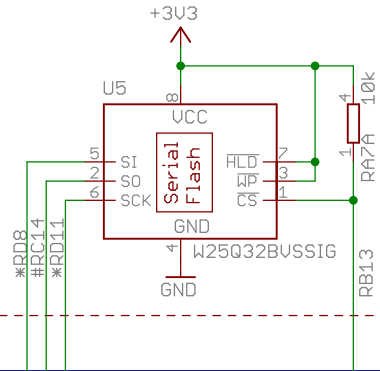
1

Date: 1/06/2013 5:52:26 PM

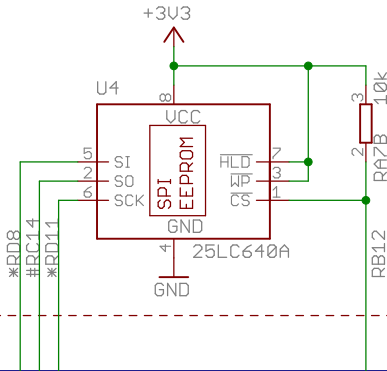
Sheet: 1/4

Indicates default solder jumper that is made at delivery

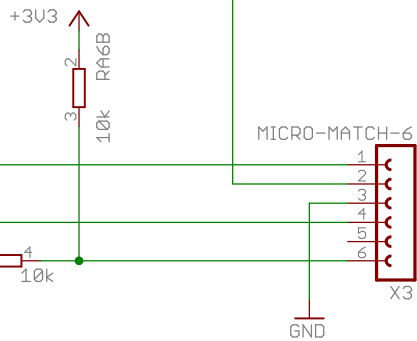
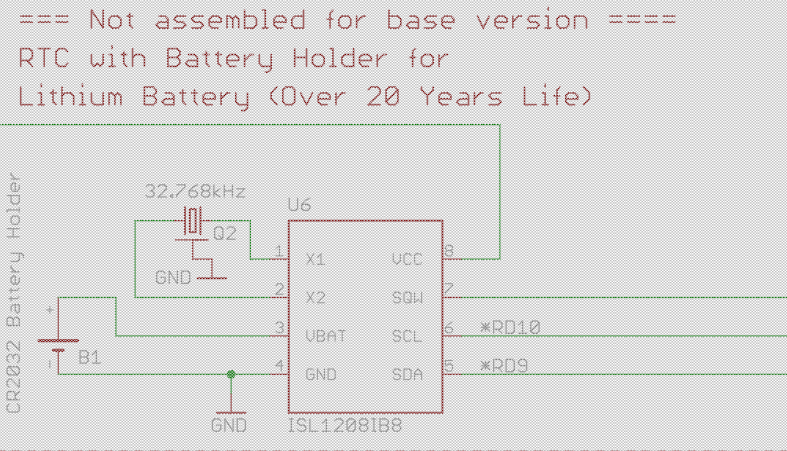
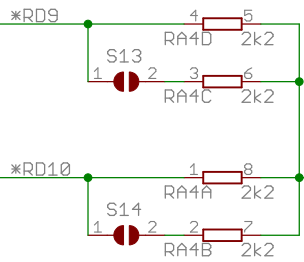
- 4MBytes Winbond Flash



- 8KByte SPI EEPROM



I2C pullup resistors



Indicates default solder jumper that is made at delivery

SBC66UAL - Modtronix Engineering

TITLE: sbc66ual-r1_doc_assembled

Document Number:

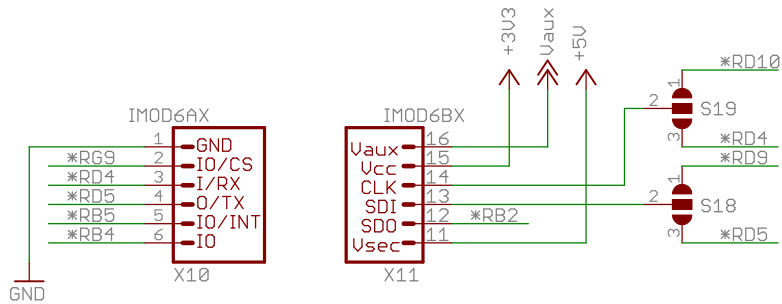
REU:
1

Date: 1/06/2013 5:52:26 PM

Sheet: 2/4

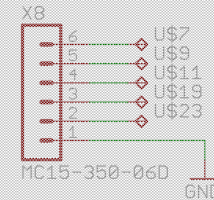
=== iMod Port ===

Can be used for adding iMod modules, like RS232, RS485, 1-Wire, I/Os...



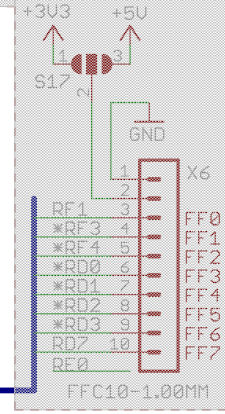
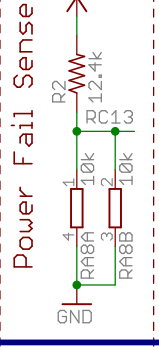
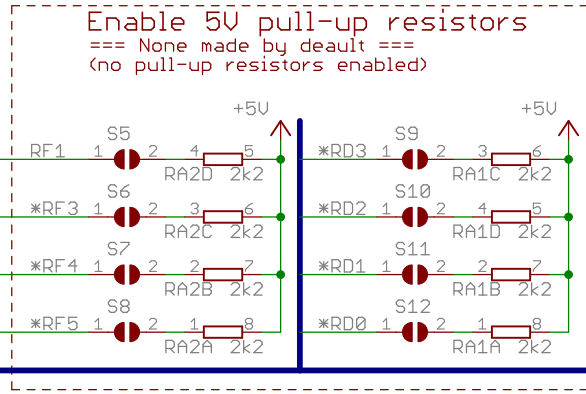
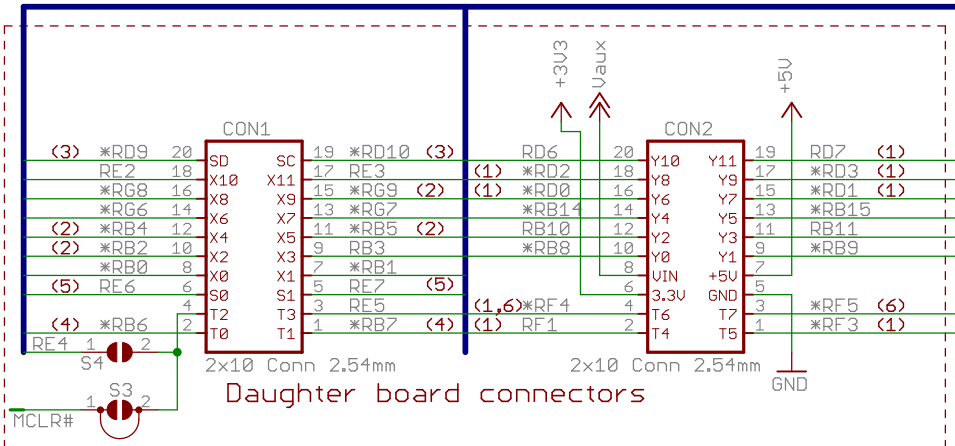
==== Not assembled for base version =====

Connector can ONLY be assembled when no iMod module is used.



==== Not assembled for base version =====

FFC Connector



⤵ Indicates default solder jumper that is made at delivery

SBC66UAL - Modtronix Engineering

TITLE: sbc66ual-r1_doc_assembled

Document Number:

REV:

1

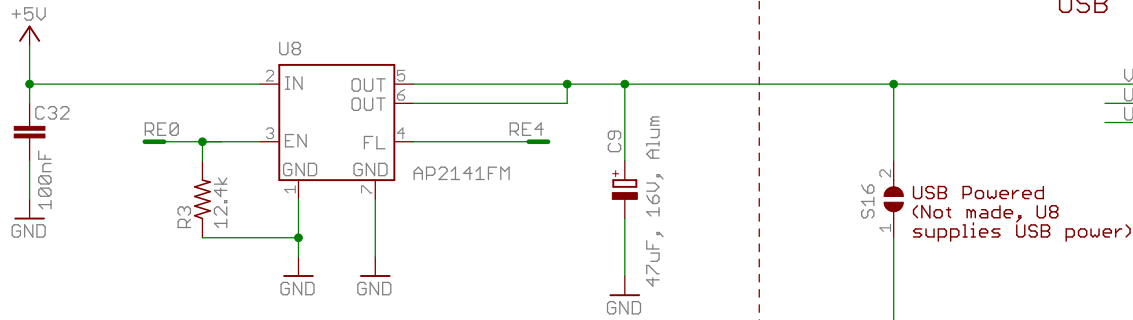
Date: 1/06/2013 5:52:26 PM

Sheet: 3/4

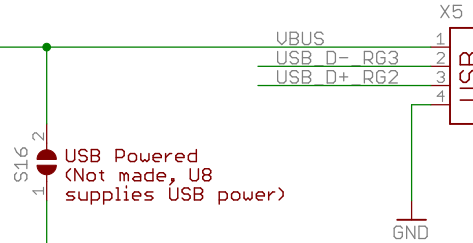
- (1) These pins are shared with the FFC Connector!
- (2) These pins are shared with iMod Connector!
- (3) RD9 and RD10 is shared (RTC, Micro Match) I2C bus
- (4) RB6 and RB7 are programming pins, do not use!
- (5) RE6 and RE7 are IO or I2C bus on PIC24F
- (6) RF4 and RF5 is IO or I2C bus

- 5U compatible = F1, F3, F4, F5, D0-D3, D8

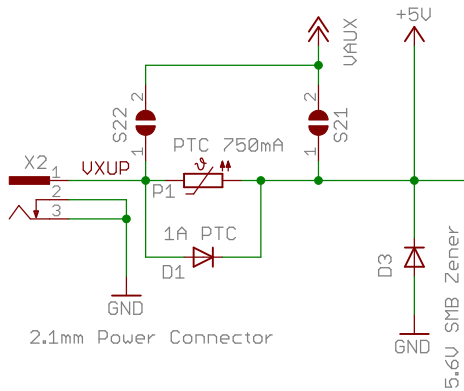
USB Host power switch



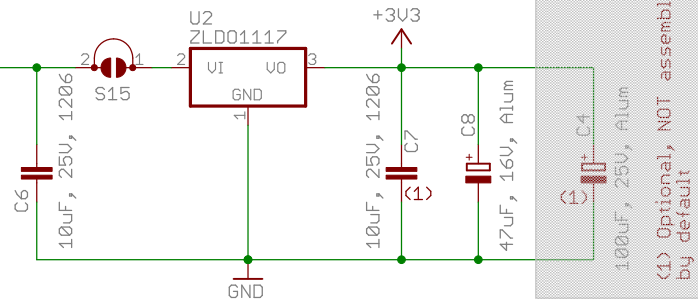
USB Type A Host Connector



PTC (Resettable Fuse) & reverse voltage protection



3.3V Linear Regulator, 800mA



 Indicates default solder jumper that is made at delivery

SBC66UAL - Modtronix Engineering

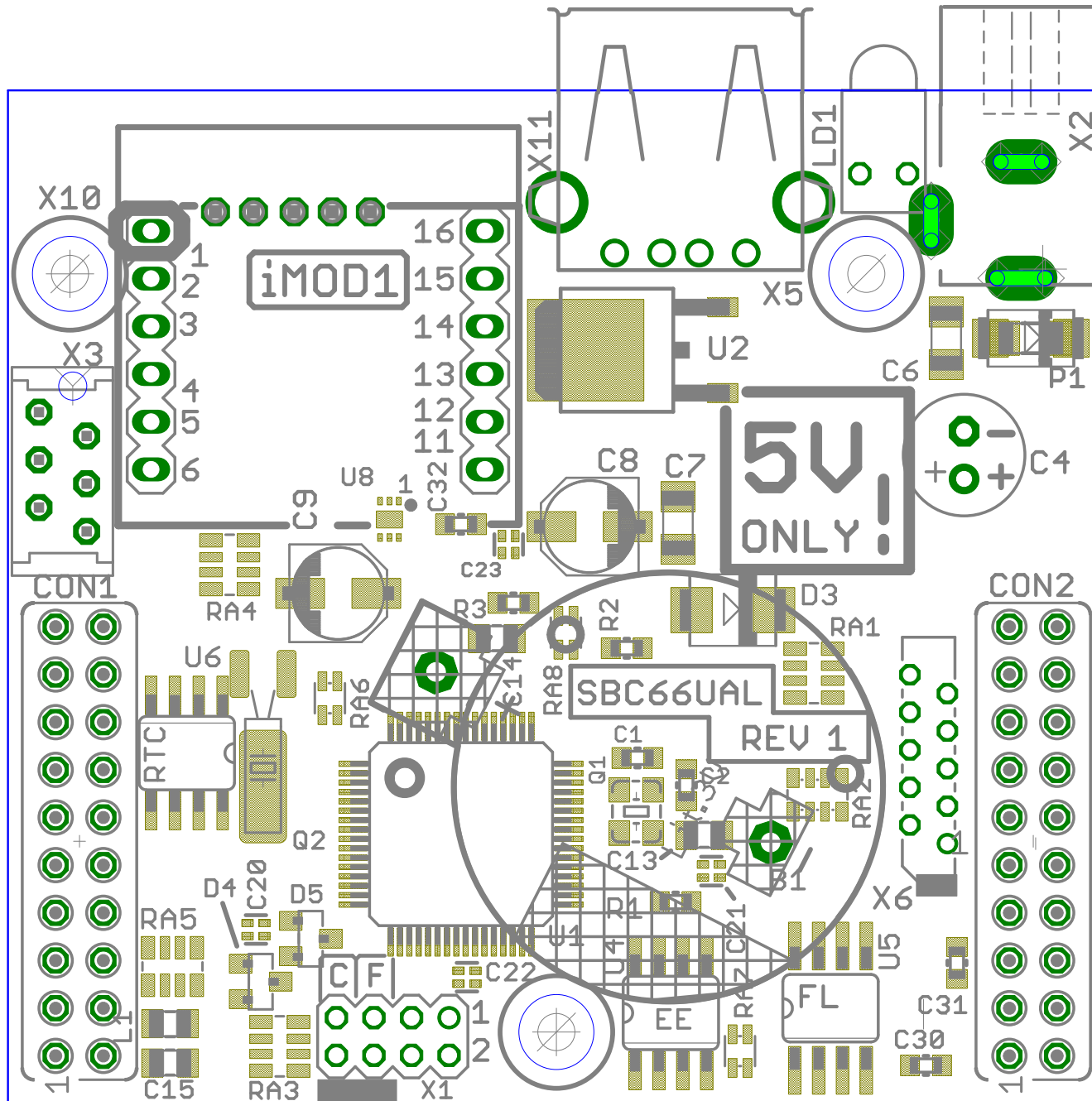
TITLE: sbc66ual-r1_doc_assembled

Document Number:

REV:

Date: 1/06/2013 5:52:26 PM

Sheet: 4/4



Dimensions are in mm (inches)

