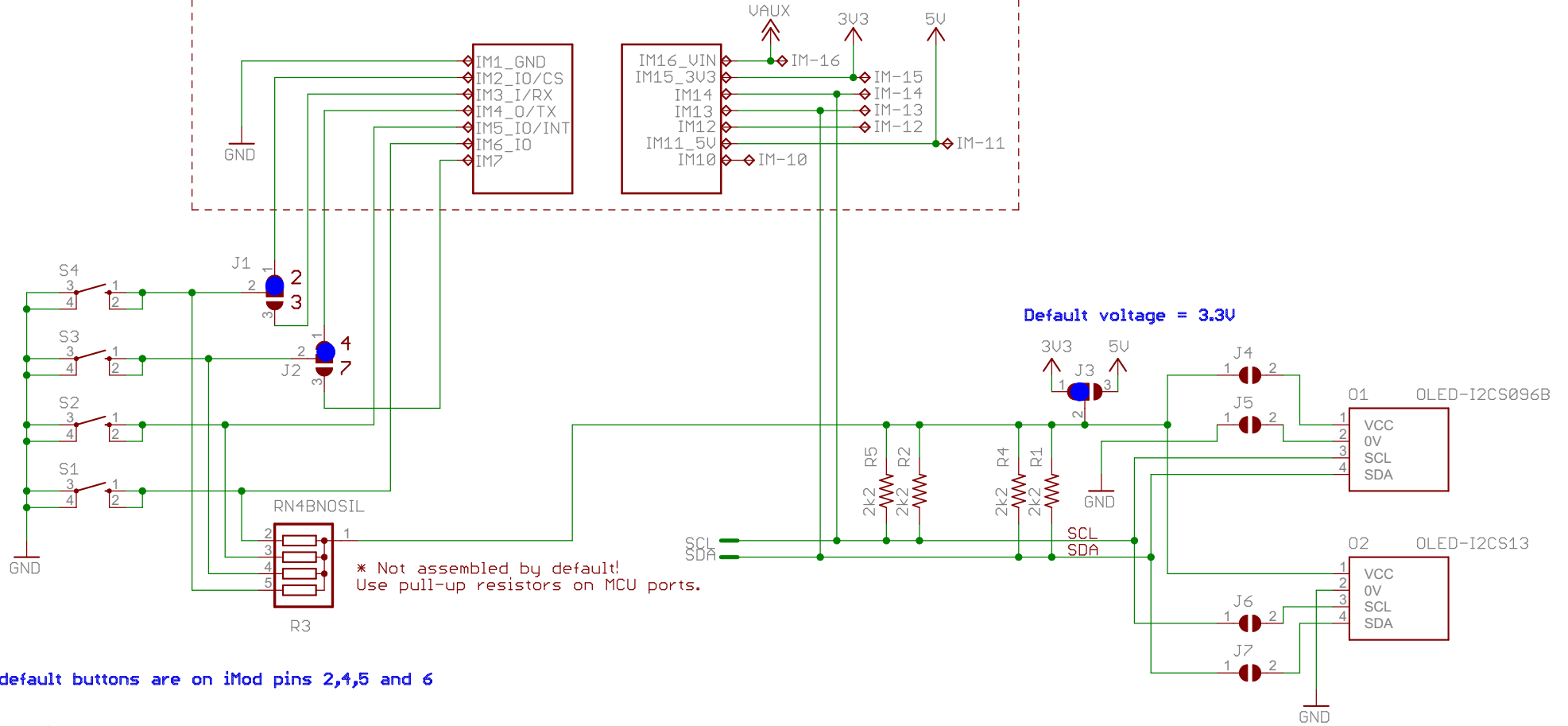


iMod Port



= Exclusive use

	SHD3I	PT4NZ	DINO-PM4	
2	D9#	#C12	D3	
3	RX/D13 (SCK)	#C11	RX	
4	TX/D10#	#C10	TX/D11 (MOSI)	
5	D3/A0 # 1 always available	#C1	A6#	
6	A1#	#C2	A7#	
7	A3#/D10		D11 (MOSI)	

● = Default Solder Jumpers

im5P I/O Module
Modtronix Engineering

TITLE: im4oled_r1

Document Number:

REV:
1

Date: 29/05/2015 3:18:47 PM

Sheet: 1/1